



# Blue PUCK ID

## Industrial Bluetooth Low Energy beacon

### BENEFITS

- Very high autonomy : up to 20 years
- Pick-to-light : integrated high power LED
- High transmission range
- Waterproof (IP69K)
- Smart & secure programming by NFC
- Over The Air Programming (OTAP)
- Dynam
- BAF Compatible depending on configuration



## TECHNICAL SPECIFICATIONS

### OPERATING MODE

<b>Frequency</b>	2,4 GHz - Bluetooth Low Energy 4.0/4.2
<b>Output power</b>	Up to +4 dBm (configurable)
<b>Range</b>	Up to 500 meters in open field (+4dBm)
<b>Transmission period</b>	2 advertising periods can be configured (value between 0,1 and 86400 seconds). Transition from one to another according to configurable sensor threshold
<b>Radio frame format</b>	ELA ID (15 bytes identifier) <b>iBeacon</b> <b>Eddystone</b>  <i>Other frame format available on request. Refer to the frames specifications for more information</i>
<b>Parameters and configuration</b>	Interface/protocol NFC (Type 2)
<b>Connected mode</b>	LED indicator (ON/OFF) command / Battery level

### BATTERY

<b>Power supply</b>	3 VDC - Internal lithium battery
<b>Battery life</b>	ID (ELA), iBeacon, Eddystone : up to 20 years* <i>* Refer to the battery life curves for more information.</i>
<b>Battery level</b>	Low battery warning in advertising frames (<15%) Battery voltage in scan response frames (configurable)

### CERTIFICATIONS

<b>Europe</b>	CE / EN 301 489 & EN 55032 / EN 62368-1
<b>UK</b>	UKCA
<b>USA</b>	FCC : FCC PART 15
<b>Canada</b>	ISED : RSS-247 / ICES-003
<b>Japan</b>	TELEC
<b>RoHs/REACH</b>	Yes

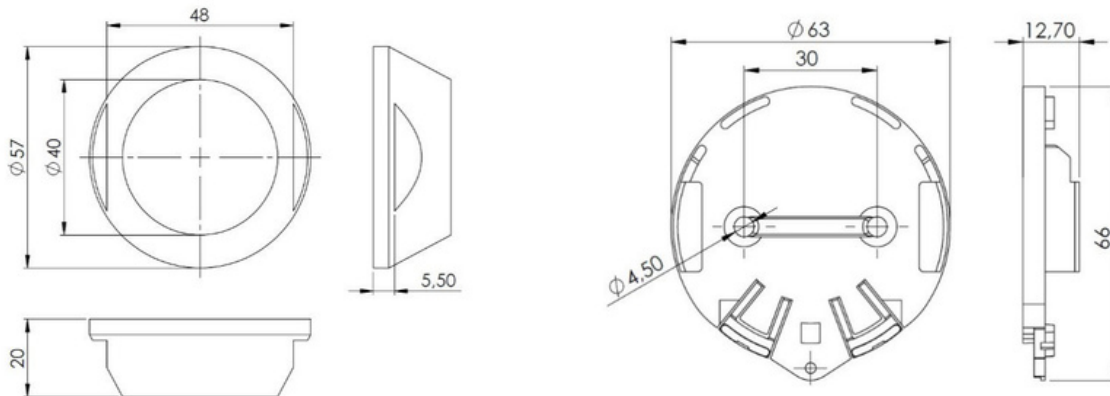
## HOUSING

<b>Dimensions</b>	Ø 57 mm base – Thickness : 20 mm
<b>Weight</b>	41g
<b>Materials</b>	DELRIN (POM C) Compatible with food products (90/128/EEC)
<b>Waterproofness</b>	IP 69K
<b>Operating temperature</b>	-40°C to +85°C

## ACCESSORIES

<b>Tag support</b>	<p><b>Holder + double-sided adhesive:</b> PUCK HOLDER STICKER (ACIOM118B)</p> <p><b>Holder only:</b> PUCK HOLDER (ACIOM117B)</p> <p><b>Double-sided adhesive only:</b> PUCK STICKER (ACIOM188)</p> <p>3M PT1100 - Ø 55mm – Thickness: 1,1mm</p>
--------------------	---

## MECHANICAL DRAWINGS



Blue PUCK ID

PUCK HOLDER

## AVAILABLE REFERENCES

Ref	Description
IDF25240-01A	Blue Puck ID extended temperature version & IP69K
IDF25240-02A	Blue Puck ID Bluetooth advanced features ready version & IP69K