

Blue PUCK T EN12830

Bluetooth Low Energy temperature datalogger



BENEFITS

- Approved EN12830 v2018 datalogger certification
- Very high autonomy : up to 18 Years
- High transmission range
- Waterproof (IP68 & IP69K)
- Smart & secure programming by NFC
- Over The Air Programming (OTAP)
- Dynamic Advertising period
- BAF compatible depending on configuration



TECHNICAL SPECIFICATIONS

OPERATING MODE

Frequency	2,4 GHz - Bluetooth Low Energy 4.0/4.2
Output power	Up to +4 dBm (configurable)
Range	Up to 500 meters open field (+4dBm)
Transmission period	2 advertising periods can be configured (value between 0,1 and 86400 seconds). Transition from one to another according to configurable sensor threshold
Radio frame format	ELA ID (15 bytes identifier) ELA T (15 bytes identifier + 2 bytes Temperature (in 0.01°C)) <i>Other frame format available on request. Refer to the frames specifications for more informations</i>
Parameters and configuration	Interface/protocol: NFC (Type 2) or Bluetooth connected mode
Connected mode	Download of 4,000 time-stamped temperature values Battery level command
Sensors performance	Range: -40 to +85 °C Resolution: 0,0625 °C Accuracy: ±0.5°C maximum (-30° to +30°C) ±1°C maximum (-40°C to -30°C & +30°C to +85°C) Calibration: Configurable 3-point calibration coefficients (Polynomial 2 nd degree)

BATTERY

Power supply	3.6 VDC - Internal lithium battery
Battery life	Up to 18 years* (0 dBm, 10 sec advertising period) Up to 10 years* (0 dBm, 3 sec advertising period) <i>* Refer to the battery life curves for more information</i>
Battery level	Low battery warning in advertising frames (<15%) Battery voltage in scan response frames (configurable)

CERTIFICATIONS

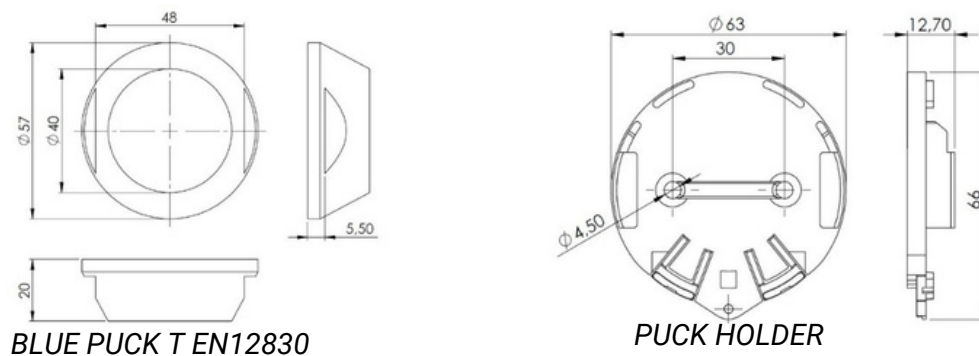
Europe	CE / EN 301 489 & EN 55032 / EN 62368-1 / EN12830 (2018) EN13486 calibration certification on demand
UK	UKCA
USA	FCC : FCC PART 15
Canada	ISED : RSS-247 / ICES-00
Japan	TELEC
RoHs/REACH	Yes

HOUSING

Dimensions	Ø 57 mm base - Thickness 20 mm
Weight	41g
Materials	DELFIN (POM C) Compatible with food products (90/128/EEC)
Waterproofness	IP 68 & IP69K
Operating temperature	-40°C to +85°C

ACCESSORIES

Tag support	Holder + double-sided adhesive: PUCK HOLDER STICKER (ACIOM118B) Holder only: PUCK HOLDER (ACIOM117B) Double-sided adhesive only: PUCK STICKER (ACIOM188) 3M PT1100 - Ø 55mm – Thickness: 1,1mm
-------------	---

MECHANICAL DRAWINGS

AVAILABLE REFERENCES

Ref	Description
IDF25251-02B	Blue PUCK T EN12830 extended temperature version & IP69K
IDF25251-04A	Blue PUCK T EN12830 Bluetooth Advanced Features ready version & IP69K